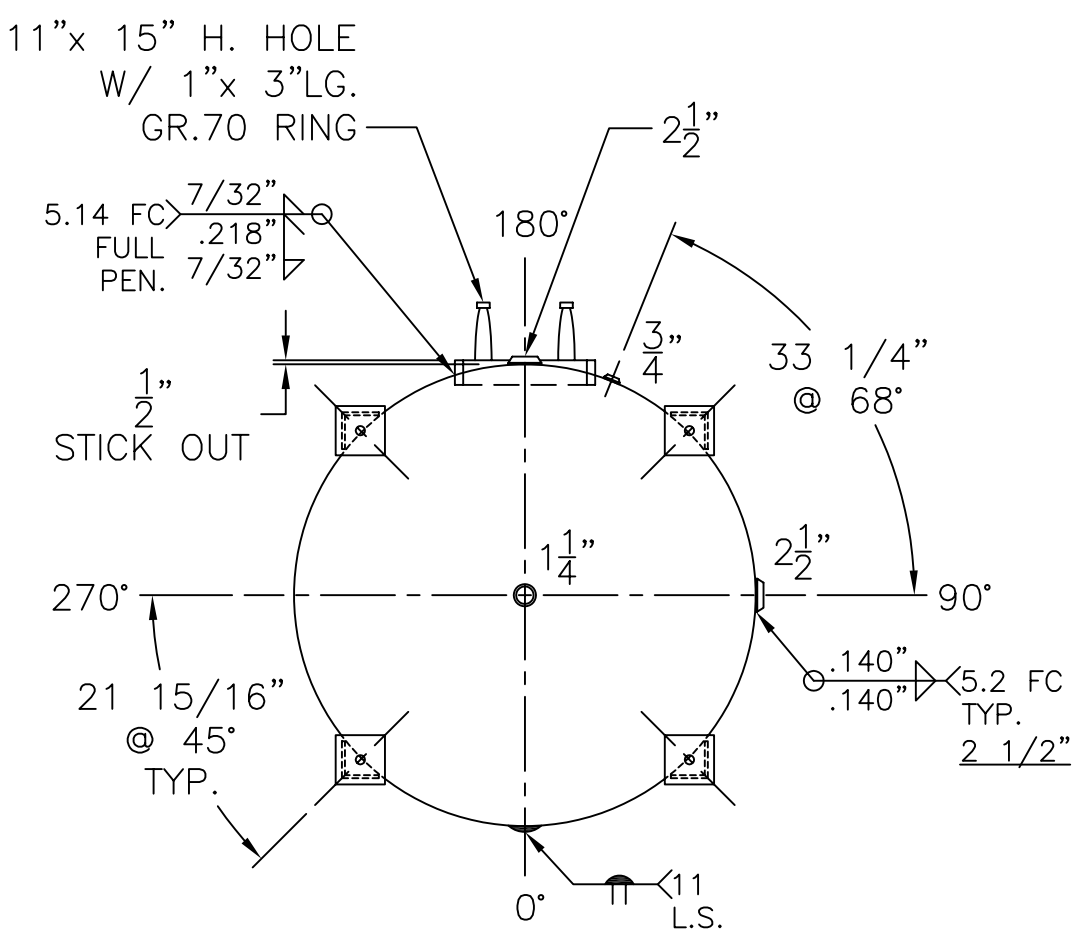


(4) 4"x 4"x 3/8"THK. x 25 5/8"LG. ANGLE LEGS  
 (4) 6"x 6"x 1/2"THK. PAD W/ 7/8"Ø HOLE



NOTE: 1) HYDRO @ 188 PSIG. MIN. TO 197 PSIG. MAX.

SHELL / HEADS		.248" SA-455 2:1 S.E. (.186" MIN.) JOGGLE	
M.A.W.P. 125 PSIG. @ 180 °F		.218" SA-455	
ASME SECTION IV 2010 ADD 2011			
X-RAY: RT-NO / H.L.W.			
GALLONS: 1225 WT. 1806 LBS.			
SERIAL NO.			
N.B.			
FOR: HANSON STANDARD		REV. 6-19-12	
VERT. WATER TANK		DATE: 9-13-89	
SURFACE AREA = 165.7 SQ. FT.			
INSIDE: EPOXY LINED			
OUTSIDE: PRIME			
LEG-ZONE 4-15 KM.			
CAD-"B" UNDER "STD"-SERIES			
BY: E.S.		SCALE: 1/2"=12"	
<b>ROY E. HANSON JR. MFG.</b>			
1600 E. WASHINGTON BLVD.			
LOS ANGELES, CA 90021			