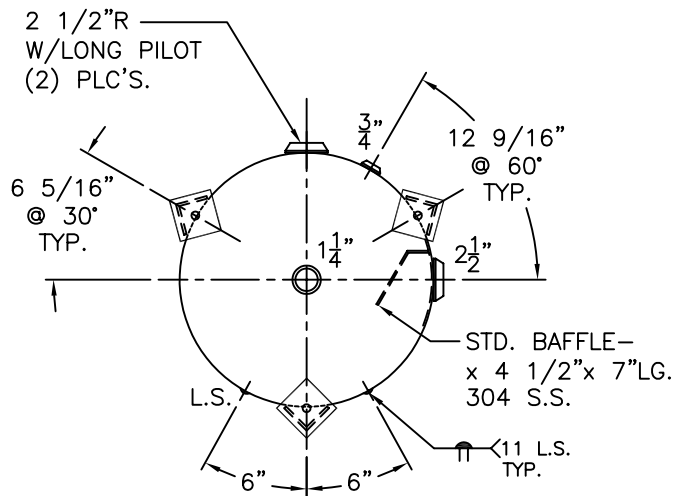


(3) 4" x 4" x 1/4" THK. PAD W/ 3/4" Ø HOLE FOR 1/2" Ø x 8" LG. BOLTS GRADE 5 OR BETTER 6" EMBEDMENT

(3) 2 1/2" x 2 1/2" x 3/16" THK. x 17 1/16" LG. ANGLE LEG



ASME SECTION	IV	2007 ADD 2008
X-RAY:	RT-NO / H.L.W.	
GALLONS:	150	WT. 378 LBS.
SERIAL NO.		
M.A.W.P.	160	PSIG. @ 210 °F
SHELL / HEADS	.135" SA-414-G	
JOGGLE -	.159 OFFSET	
NOTE: 1	2) HYDRO @ 240 PSIG. MIN.	
	SHIP LOOSE W/ (1) 1 5/16" x 48" LG. FLEX. MAG. ANODE.	
GS-24-150-V	REV. 3-9-09	DATE: 5-6-03
FOR: HANSON STANDARD	VERT. HOT WATER TANK	
SURFACE AREA = 45.4 SQ. FT.	INSIDE: GLASS LINED	
OUTSIDE: PRIME	LEG-ZONE 4-15 KM.	
CAD-"B" UNDER "STD"-SERIES	BY: J.G.	
SCALE: 1"=12"	ROY E. HANSON JR. MFG.	
	1600 E. WASHINGTON BLVD.	
	LOS ANGELES, CA 90021	