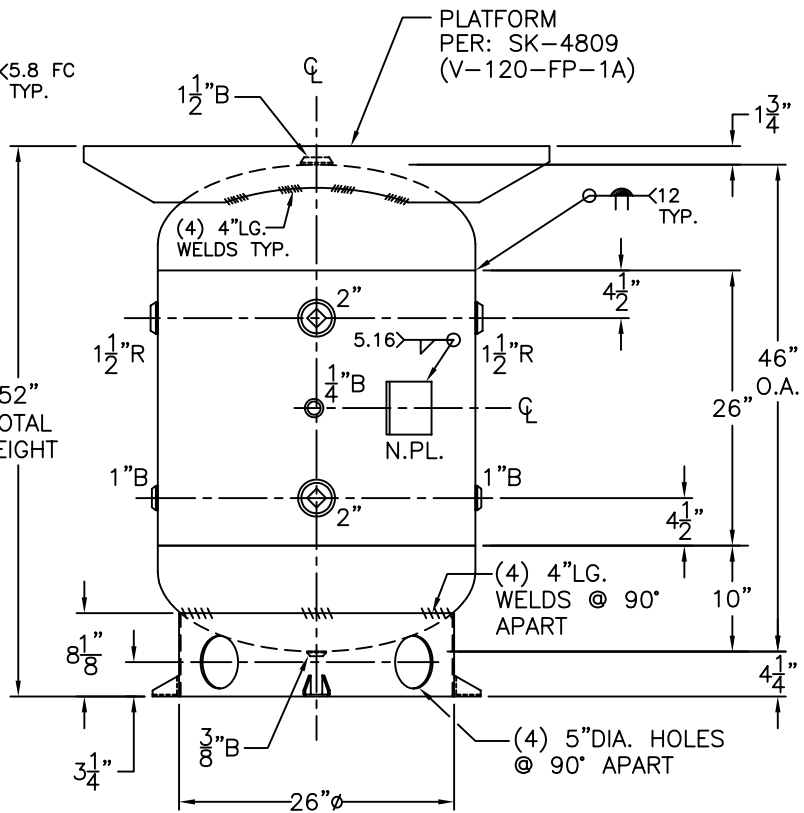


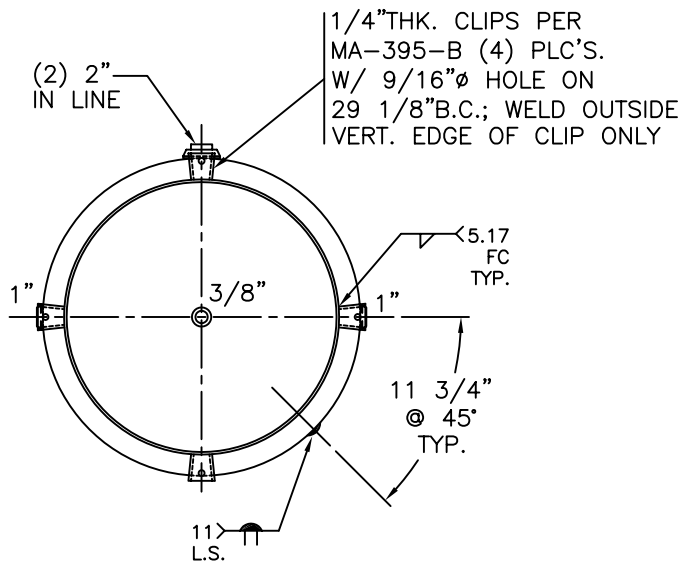
2" R W/C.I. PLUG
 INSP. OPENING
 (2) PLC'S



PLATFORM
 PER: SK-4809
 (V-120-FP-1A)

NOTE: 1) HYDRO @ 262 PSIG. MIN.

SHELL / HEADS		M.A.W.P. 200 PSIG. @ 400 °F	
.195" SA-455 2:1 S.E.		M.D.M.T. -20 °F @ 200 PSIG.	
JOGGLE - .209 OFFSET		ASME SECTION VIII DIV. 1, 2007 ADD. 2007	
.200" SA-455		X-RAY: RT-NO	
		GALLONS: 120	
		WT. 363 LBS.	
		SERIAL NO.	
		N.B.	
30-VA-120-RP		REV. 9-16-08	
FOR: HANSON STANDARD		DATE: 12-21-94	
VERT. AIR TANK			
INSIDE: UNPAINTED			
OUTSIDE: PRIME			
CAD "B" SIZE UNDER "STD"-SERIES			
BY: J.G.		SCALE: 1"=12"	
ROY F. HANSON JR. MFG.			
1600 E. WASHINGTON BLVD.			
LOS ANGELES, CA 90021			



1/4" THK. CLIPS PER
 MA-395-B (4) PLC'S.
 W/ 9/16" Ø HOLE ON
 29 1/8" B.C.; WELD OUTSIDE
 VERT. EDGE OF CLIP ONLY