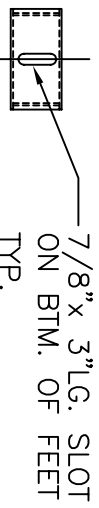
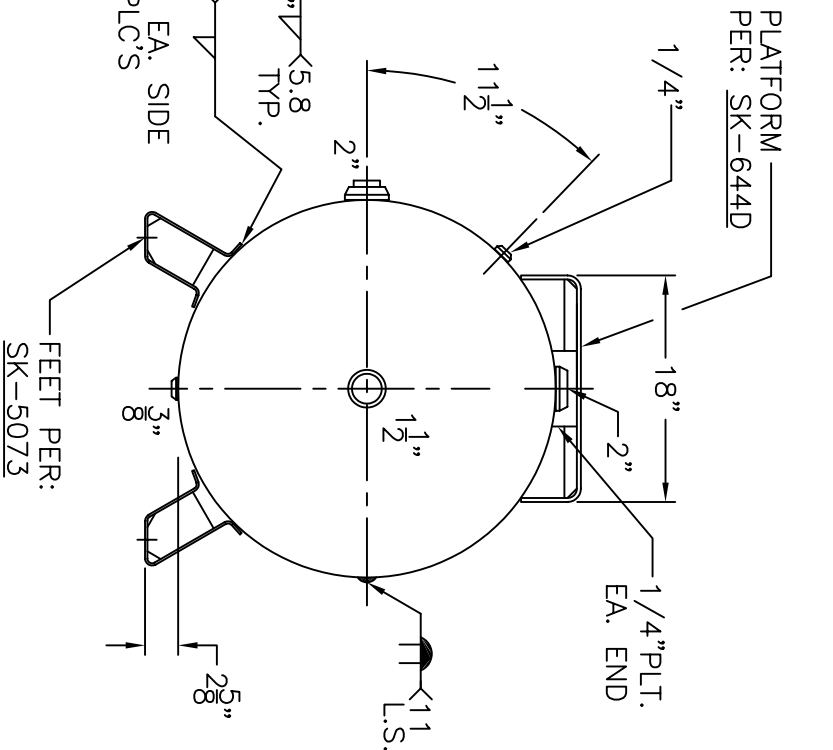


VIEW W/OUT SUPT.



7/8" x 3" LG. SLOT ON BTM. OF FEET TYP.



NOTE: 1) HYDRO @ 390 PSIG. MIN.

HEADS		SHELL	
.250" SA-455	2.1 S.E.	.250" SA-455	
(.244" MIN.) JOGGLE			
M.A.W.P.	300 PSIG. @ 400 °F		
M.D.M.T.	-20 °F @ 300 PSIG.		
ASME. SECTION VIII	DIV. 1, 2001 ADD 2002		
X-RAY:	RT-4 SPOT L.S. ONLY		
GALLONS:	240 WT. 783 LBS.		
SERIAL NO.			
N.B.			

<b>IHD-240-BP</b>	REV. 7-21-03
FOR: HANSON STANDARD	DATE: 12-18-86
HORIZ. AIR TANK	
INSIDE: UNPAINTED	
OUTSIDE: PRIME	
BY: E.S.	SCALE: 3/4"=12"
<b>ROY E. HANSON JR. MFG.</b>	
1924 COMPTON AVE.	
LOS ANGELES, CA 90011	