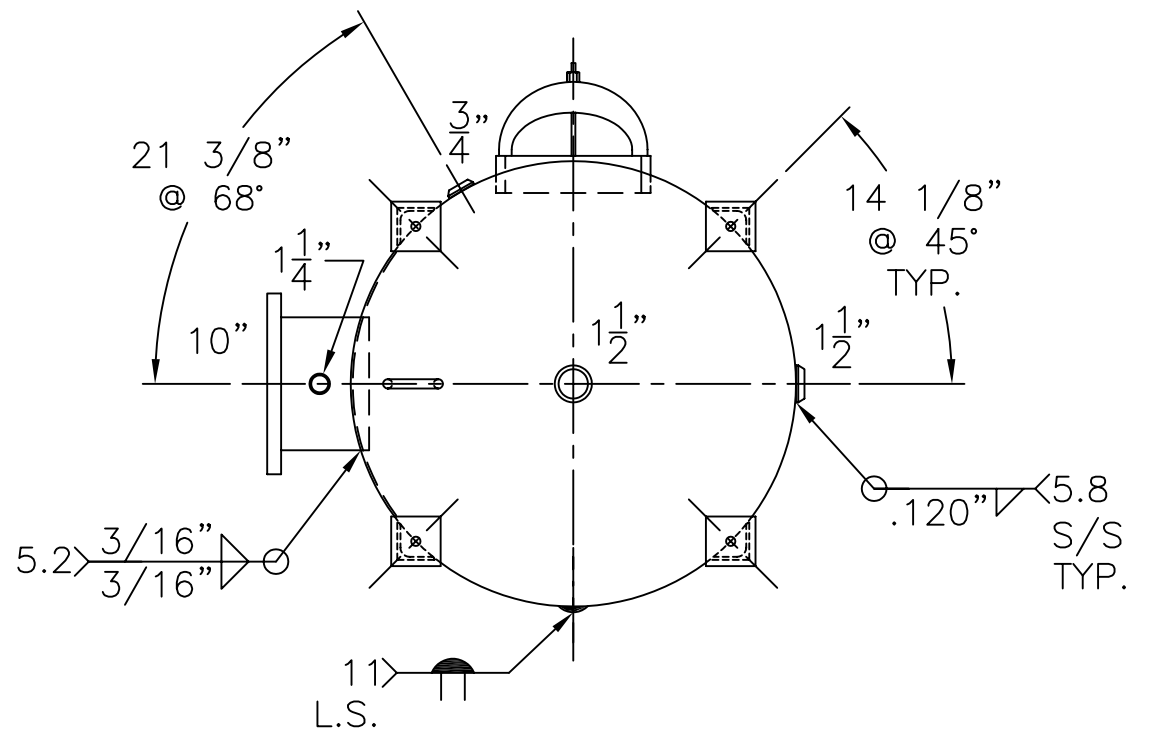
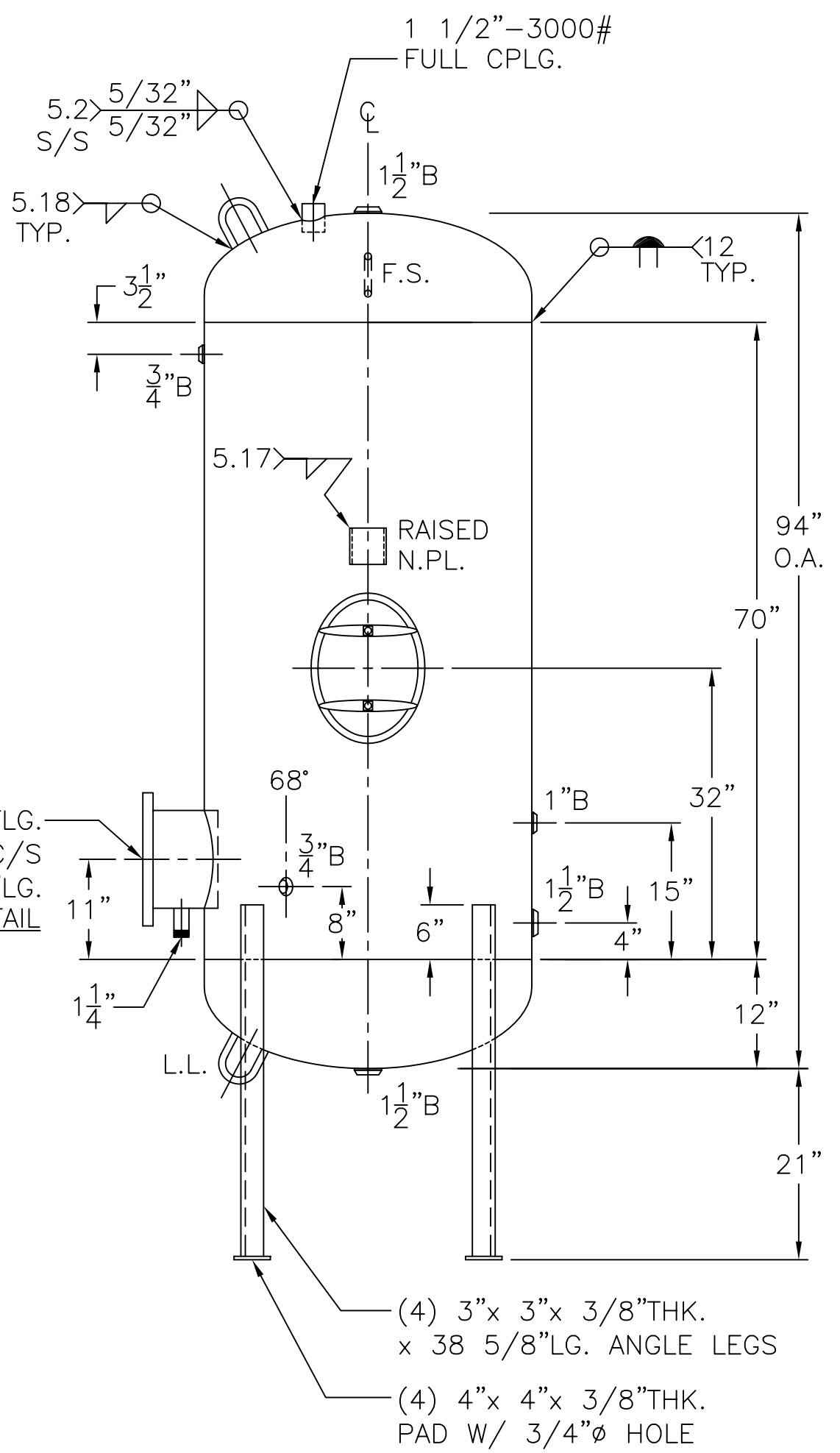


10" B & G C/S FLG. W/ SCH. 40 (.365") C/S STOCK COLLAR x 8 1/4" LG. SEE DETAIL



NOTE: 1) 2) ALL BONY'S & CPLGS. SA-182-304 S.S. HYDRO @ 163 PSIG. MIN.

SHELL / HEADS	
JOGGLE	.182" SA-455 2:1 S.E.
M.A.W.P.	125 PSIG. @ 180 °F
M.D.M.T.	-20 °F @ 125 PSIG.
ASME SECTION VIII	DIV. 1, 2001 ADD 2003
X-RAY:	RT-NO
GALLONS:	381 WT. 812 LBS.
SERIAL NO.	
N.B.	

FOR: -	WK-699-B	REV: 6-8-04
VERT. WATER TANK		
SURFACE AREA = 78.3 SQ. FT.		
INSIDE: EPOXY LINED		
OUTSIDE: PRIME & R-16		
LEG-ZONE 4-15 KM.		
BY: E.S. / H.D. SCALE: 3/4"=12"		
<b>ROY E. HANSON JR. MFG.</b>		
1924 COMPTON AVE.		
LOS ANGELES, CA 90011		